



HelloDevice Pro Series, PS110/410/810

Serial Device Server,



Features

- * Connects legacy serial devices to 10/100Base-T Ethernet network
- * Supports surge protector for RS232/422/485 interface, up to 230Kbps speed
- * Flexible TCP/UDP host mode support: Multiple host connection/data transfer
- * Encryption key based algorithm support
- * System logging & port buffering
- * Dynamic DNS protocol for broadband Internet connection
- * Configuration via Web, Telnet/SSH, Windows Utility or console
- * Supports both wall and DIN-Rail style mounting
- * Supports RFC 2217, Telnet COM Port Control Protocol

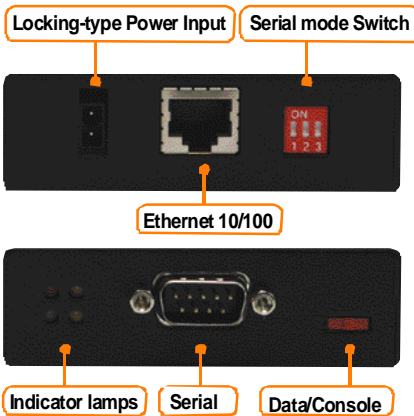
The Linux-based PS110/410/810 is a Universal 1/4/8 port device server that allows your legacy serial devices manageable by 10/100Mbps Ethernet network. Users can feel safe applying the PS110/410/810 in real world applications, since all models are equipped with surge protectors for serial ports.

Included features are full-featured system management functionality of system status display, firmware upgrade, remote reset and system log display by using various accessibility options such as, telnet, serial console port or web. For critical applications of secure data communication, the PS110/410/810 supports SSL for data encryption. It also supports telnet COM port control protocol, i.e. RFC2217 which enables user devices to deliver the pin status information to the serial application. In modem emulation mode, the unit accepts modem AT commands on the serial port and establishes a secure network connection to the end device, providing a cost-effective solution by eliminating dedicated modems and phone lines.

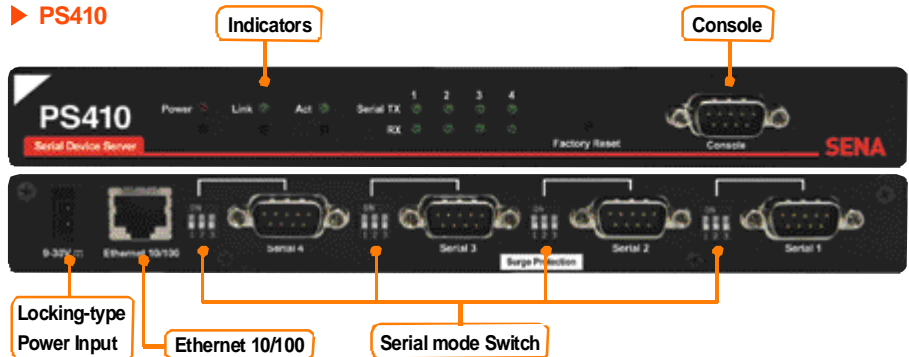
The PS110/410/810 is the ideal solution for the users who are looking for the cost-effective, most secure, scalable linux-based serial device servers for their RS232/422/485 serial devices.

Panel Layout

▶ PS110



▶ PS410



▶ PS810





Serial Device Server, HelloDevice Pro Series, PS110/410/810

Specifications

Serial Interface

- * Serial speeds 75bps to 230kbps
- * DB9 connector
- * Flow Control: H/W and S/W
- * Signals: RS232 / Rx, Tx, RTS, CTS, DSR, DTR, DCD, GND
RS422 / Tx+, Tx-, Rx+, Rx-, RTS+, RTS-, CTS+, CTS-
RS485 / 2/4-wire
- * Surge protector equipped for each serial port

Network Interfaces

- * 10/100 Base-T Ethernet with RJ45 Ethernet connector
- * Supports static and dynamic IP address

Protocols

- * ARP, IP/ICMP, TCP, UDP,
- * Telnet/SSH
- * DNS, Dynamic DNS, HTTP, SMTP, DHCP,
- * SNMP v1 & v2, SSL v3
- * Serial Port Access protocol :
TCP, UDP, SSL v3, RFC-2217

Ethernet modem

- * Full AT command set support

Security

- * SSH, SSL, HTTPS
- * IP address filtering
- * Data Encryption

Management

- * Web, Console, Telnet / SSH
- * HelloDevice Manager software
O/S support: Windows 98/ME/NT/2000/XP

Logging & Buffering

- * Versatile system logging support for all system events
- * Serial port data buffering

Firmware

- * Upgrade using console, telnet/SSH and web

Diagnostic LED

- * PS110: Power, Link, Serial Rx/Tx for each serial port
- * PS410: Power, Link, Act, Serial Rx/Tx for each serial port
- * PS810: Power, Ready, Link, Act, Serial Rx/Tx for each serial port

Power

- * PS110: 9~30VDC, 300mA@9VDC
- * PS410: 9~30VDC, 500mA@9VDC
- * PS810: 100~240VAC, 50/60Hz, 0.24A

Environmental

- * Operating temperature:
0°C to 50°C
- * Storage temperature:
-20°C to 66°C
- * Humidity:
90% Non-condensing

Physical properties

- * PS110: 113 x 82 x 27 (mm)
4.5 x 3.2 x 1.0 (in.) / 300g
- * PS410: 227 x 119 x 28 (mm)
8.9 x 4.7 x 1.1 (in.) / 750g
- * PS810: 438 x 120 x 45 (mm)
17.2 x 4.7 x 1.8 (in.) / 1.5kg
19" rack mountable

Certification

- * FCC(A), CE, MIC

Warranty

- * 5-year limited warranty

Ordering Information

PS110	HelloDevice Pro 110 single-port serial device server
PS410	HelloDevice Pro 410 4-port serial device server
PS810	HelloDevice Pro 810 8-port serial device server

- Includes:**
- Quick Start Guide
 - External 110V(or 230V) power supply or power cord
 - Serial data cable
 - CD-ROM

Optional Accessories:

- DIN-Rail mount kit for the PS110/410



For more information, please visit us at
<http://www.sena.com>

U.S. / Canada / South America

Tel : +1 (408) 573-7425 Fax: +1 (408) 907-3738

EU / Africa

Tel : +33 (0) 1 53 53 16 29 Fax: +33 (0) 1 70 24 70 90

Asia / Pacific

Tel : +82-2-571-8283 Fax: +82-2-573-7710

Contact us via E-mail

General Information : info@sena.com
Sales & Distribution : sales@sena.com
Technical Support : support@sena.com

SENA

www.sena.com