



InRouter600-S Series

4G LTE or 3G, WI-FI, VPN Industrial Router



Overview

Integrating 3G, 4G LTE and advanced security, the InRouter600-S series is the next generation of InRouter600 cellular router. With embedded hardware watchdog, link detection, auto-recovery and auto-reboot, the InRouter600-S series provides reliable communications to unattended sites. Reliable VPN technology secures sensitive data, including standard IPSec/SSL/PPTP/L2TP and GRE. The IR600-S also utilizes remote management tools such as a CLI, a web interface and InHand *Device Manager* Cloud platform for batch configuration and monitoring.

By combining 3G and 4G cellular technology, simple installation and a suite of management tools, the InRouter600-S series is ideal for large-scale machine to machine applications including kiosks, vending machines, medical equipment and industrial control systems.

Features

Uninterrupted Network Access

- Optional 4G/LTE, 3G/HSPA+, 3G/EV-DO, with 100Mbps downlink, 50Mbps uplink.
- Automatically recover with GPRS or 3G without an LTE signal
- WI-FI Access Point or Client: 802.11b/g/n, WEP/WPA/WPA2 encryption
- 3G/4G and WI-FI backup internet access
- Quad-Band 2G, 3G and 4G LTE for global deployment

Rugged Industrial Design

- Metal housing, IP30
- EMC levels II and above

- 1.5 kV isolated serial port
- Wide temperature range: -20~70 °C
- Wide input voltage range: 9~26VDC

Data Security

- **Data Transmission Security**
IPSec VPN, L2TP, PPTP, SSL VPN and certificates guarantee data security
SCEP scalable VPN authentication
- **Network Security**
Stateful Packet Inspection (SPI), Secure Shell(SSH) and DoS mitigation
Intrusion protection, and IP to MAC Binding
ACL, DMZ, Port-forwarding and IP filtering
- **Management-Plane Security**
SSH, HTTPS and InHand *Device Manager* for secure remote management
Multi-level user authority
Administrative permission management

Reliable Cellular

- **Automatic Link Detection & Recovery**
PPP Layer Detection: monitor the cellular connection
Network Connection Detection: automatic redial and reboot
VPN Tunnel Detection: ruggedized and improved VPN tunnels

Remote Management

- Local Web-Browser Interface
- Command-line interface
- *Device Manager* for batch management and configuration

Industrial Serial

- Transparent serial communication for point to multi-point serial over cellular.
- Modbus TCP to Modbus RTU protocol conversion
- Trap+Poll, WP, WN, RFC2217, IEC 101/104

Specifications

IR600-S Software Specification

		IR600-S
Network	Network Access	Custom APN, VPDN, Static IP
	Authentication	CHAP/PAP
	Network	GSM/GPRS/EDGE: 850/900/1800/1900 MHz UMTS/HSPA+/EVDO/TD-SCDMA: 850/900/1900/2000/2100 MHz



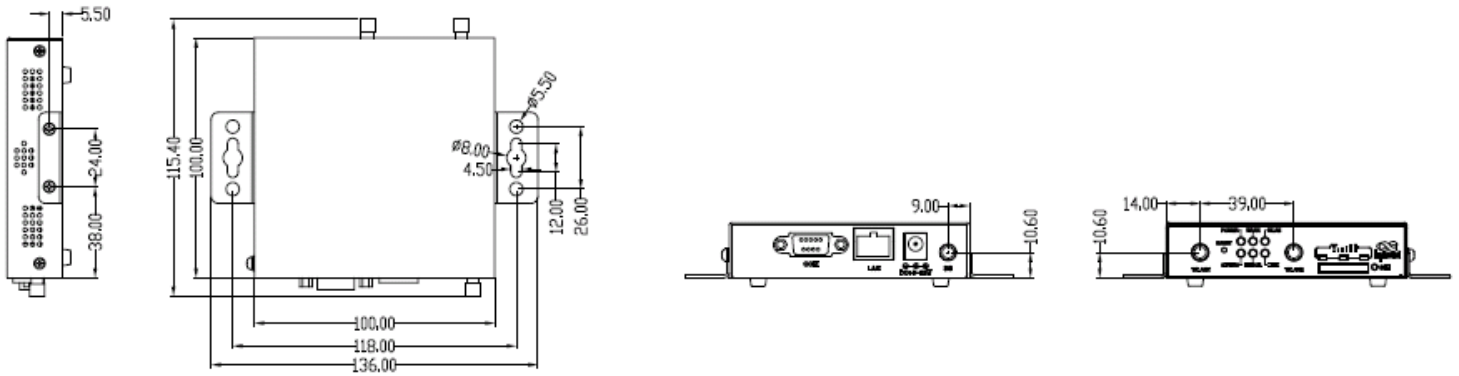
		IR600-S	
		TD-LTE: Band38/39/40 FDD LTE: Band1/2/3/5/7/8/20	
	LAN	ARP	
	WAN	PPP	
	IP	Ping, Trace, DHCP Server, DHCP Relay, DHCP Client, DNS relay, DDNS, Telnet	
	IP Routing	Static routing	
WLAN (optional)	Standard	IEEE 802.11b/g/n	
	Mode	AP, Client	
	Speed	300Mbps	
	Security		Support open system, shared keys, WPA/WPA2
			WEP/TKIP/AES encryption
Transmission Distance	100m (indoors)		
Security	Network Security	DoS protection, Stateless Packet Inspection, Filtering Multicast/Ping package, Access Control List (ACL), IP/MAC Binding, Port forwarding	
	Data Security	IPSec/L2TP/PPTP/GRE/OpenVPN/CA	
	Management Security	Multi-level user authority	
Reliability	Link Status Detection	Reconnects automatically when a link failure is detected	
	Auto-Recovery	Hardware Watchdog	
Intelligence	Integrated DTU Functions	Support Modbus protocol, virtual serial port, WP agreement, WN protocol, Trap+Poll, RFC2217, IEC101/104, transparent transmission	
Management & Maintenance	Traffic Management	Bandwidth control, IP-based QoS	
	Configuration	Telnet, web, SSH, INOS command-line	
	Firmware Upgrade	Via web, InHand Device Manager	
	Log	Local log, remote log, export log via serial port	
	On-Demand Dial Up	Trigger by data on port, text message or on demand	
	Network Management	InHand Device Manager for batch configuration	
	Multi-level user	Authentication for configuration and remote access	
	Maintenance Tool	Ping, Traceroute, speed test	
	Status Check	System, modem, network connections, route	

IR600-S Hardware Specification

		IR600-S
Interface	Ethernet Port	1*10/100Mbps, LAN/WAN, 1.5KV isolated serial port
	Power Supply	DC9-26V
	Serial Port	1*RS-232/485(DB9), 15KV ESD protection
	SIM Holder	Drawer Card Holder x1
	Reset	Pinhole Reset Button
	Antenna Connector	3G/4G:SMA x 1, WLAN: RP-SMA x 2
Mechanical Features	Dimension (mm)	100x100x23
	Installation	Panel mounting
	Housing	Metal
	Protection Level	IP30
	Cooling	Fanless
Power Consumption	Standby	80mA-120mA@12V
	Operating	200mA-220mA@12V
	Peak	240mA@12.0V
Environment Temperature	Humidity	5~95% relative humidity (noncondensing)
	Storage Temp	-40~85°C
	Working Temp	-20~70°C
LED Indicators	POWER, STATUS, WARN, ERROR, MODEM, SIM, three Levels of Cellular Signal Strength	
EMC	Electrostatic Discharge Immunity	EN61000-4-2,level 2
	Radio Frequency Immunity	EN61000-4-3,level 2
	Electrical Fast Transient/Burst Immunity	EN61000-4-4,level 2
	Surge	EN61000-4-5,level 2
	Immunity to Conducted Disturbances	EN61000-4-6,level 2
	Shockwave Immunity	EN61000-4-12,level 2
	Power Frequency Magnetic Field Immunity	EN61000-4-8, horizontal/vertical400A/m (>level 2)
Physical	Shock Test	IEC60068-2-27
	Free Fall	IEC60068-2-32
	Vibration	IEC60068-2-6
Certification	CE(EMC, LVD, RF, Temperature), FCC, CCC	
Warranty	1 year	



Dimensions (mm)



Ordering Information

InRouter600-S	
Part Number	IR611-S-<N>-<WLAN>-<S>
N(Network)	PH09: HSPA+; VZ16:EVDO;TL00: TD-LTE; FH09: FDD-LTE; EN00:no module
WLAN(WI-FI Function)	<NA>: no WI-FI W: WI-FI AP&Client
S(Serial Type)	<NA>:RS232; 485: RS485
Example	IR611-S-PH09-W: support IPSec/PPTP/L2TP/OPEN VPN, HSPA+, WI-FI AP&Client, RS232